



One Powerful Cat

8825-II-HP High Power Super-Drive Torsion Shaft Mount Sectional Door Operator



Patented

Architectural specifications available online or contact below
See sectional door application chart to select appropriate models

- Soft start–soft stop Series II Controller
- Phosphor Bronze Gear System
- Avoids thrown cables
- New tensioning wheel system
- Compact lightweight & powerful
- Powerful Low Voltage DC Motor
- One-person fast installation
- Requires as little as 5.5" of side room
- Operates low headroom and standard lift sectional doors without pusher springs
- Operates high lift and vertical lift sectional doors
- Eliminates steel costs, concrete anchors, and welding to mount operators
- Adjustable sensitivity obstruction detection without a reversing edge
- Versatile mounting configurations
- Mounts to torsion shaft
- Approvals:
 - CE - Europe
 - CSA - Canada , USA to UL Standards

Distributor/Dealer Information

ZAP CONTROLS UK LIMITED
Tel: +44(0)1543 879444 Fax: +44(0)1543 879333
sales@zap-uk.com www.zap-uk.com

ZAP US Sales Contact: 931-510-4432
sales@zap-america.com www.zap-america.com



The Smallest, Safest, & Quietest commercial garage door operator in the world!

ZAP DC motor drives

Utilize a soft start that avoids cables being thrown off the drums during start up

Provide an inherent obstruction detection system during the close cycle that is not solely limited to edge contact to cause the door to reverse, eliminating the need and maintenance of a safety edge

Provide an inherent obstruction detection system that detects the increased resistance of a slide lock left in place, a broken torsion spring or other obstructions and stops the door from opening, preventing further damage or an unsafe door from being raised

Easily disengage to allow manual operation

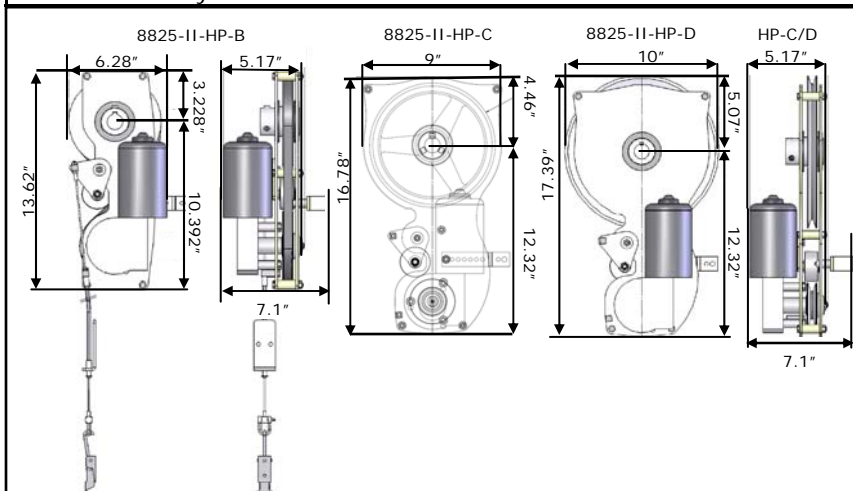
Standard Features

- Available with 3 button controllers
- Available in 1" and 1-1/4" bore
- Adjustable auto-close timer included
- Truck restraint interlock
- Automatically detects unsafe working doors
- Automatic obstruction sensing without safety edge

Options

- Photo Cells
- Battery back up
- Motor covers
- Integrated auto-lock
- Interface modules
- Radio controls
- Fire station module
- Loop detectors
- Traffic light control modules
- Door Open/Dock Interlock

Lift Requirement						Most Popular Accessories	
Low Headroom	Standard Lift	High Lift to 54"	High Lift above 54"	Vertical Lift			
Door Size W X H						Accessory	Part#
8'-16'W X 8'6"-15'H	8825-II-HP-B	8825-II-HP-B	8825-II-HP-B	8825-II-HP-B	8825-II-HP-B	External Receiver Interface	871
17'-24'W X 16'-20'H	8825-II-HP-C	8825-II-HP-C	8825-II-HP-C	8825-II-HP-D	8825-II-HP-D	Retro Reflective Photo Cells	401000
Please read the instructions fully or attend training online before installation. Consult factory for door sizes beyond scope provided above. The maximum door weight for sizes listed above is 2400 Lbs. The minimum door height 8'6". This motor drive unit mounts to hollow and solid torsion shafts and requires 4.5" of torsion shaft exposed beyond edge of track assembly. 1" shaft bore is available for all 3 models. 1.25" Bore is available for the C and D models. Low voltage wiring to motor provided. Consult accessory chart for rear mount torsion.						Through Beam Photo Cells	401001
						Door Open/Dock Interlock	82-DTLM
						Auto-Lock	8070
						Fire Station Module	871-FS
						Battery Back Up	8030
						Rear mount torsion kit	ZA0102 Bowden cable for door less than 10'H ZA0081 Bowden cable for door more than 10'H 900005 Large offset torque arm



Approvals: CE Europe, CSA Canada, USA to UL Standards
 Supply voltages available: Switchable between
 US: Single Phase 120VAC 60HZ
 EU: Single Phase 230VAC 50HZ
 Alternate voltage for US market available:
 460 3 phase using 2 phases (277VAC)
 Power rating: 2000 Newtons
 Amp Draw: 5.8A
 Motor RPM: Fast Speed: 48 Slow Speed: 24
 Limits determination: Physical/Self Calibrating
 Max Cycle Count: Continuous
 Operating Temperature Range: -22 deg F to 212 deg F
 Overload protection: Inherent motor current sensing
 Lubrication: Permanent
 Controller Dimensions: 8.7"H X 10.6"W X 4.5"D