



# ZAP Technical Instruction



The Smallest, Quietest & Safest Garage Door Operator in the World!



# Accessory Installation

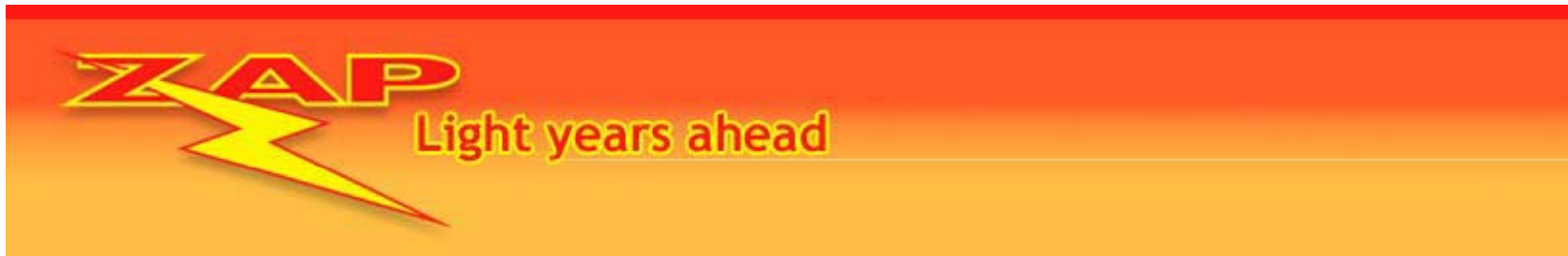


# **WIRING OF THE GENIE 2-WIRE PHOTOCELLS TO THE ZAP 800-R CONTROLLER**



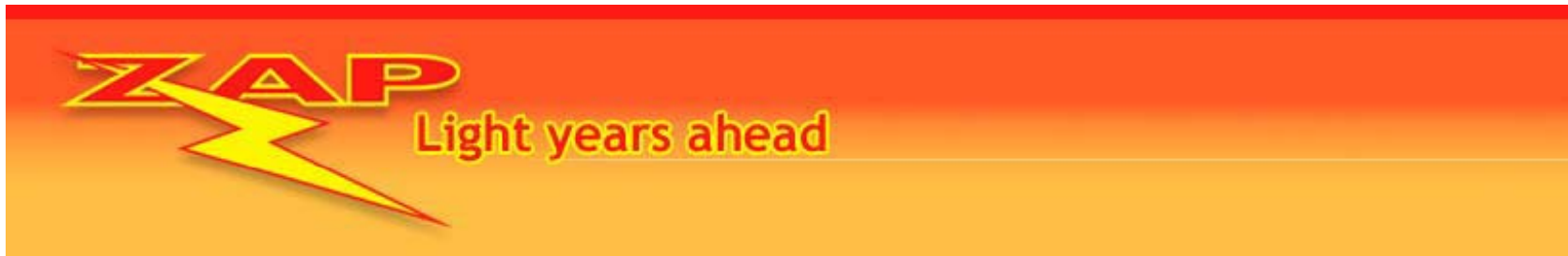
## Materials Needed

- Genie residential photo cells and brackets
- 16-20 AWG 2 wire



Series controller applicable to:

800-R



This installation is to be performed after the operator is installed and initial set up has been performed verifying successful installation and calibration of the operator.



- Place the case lid into the service position.

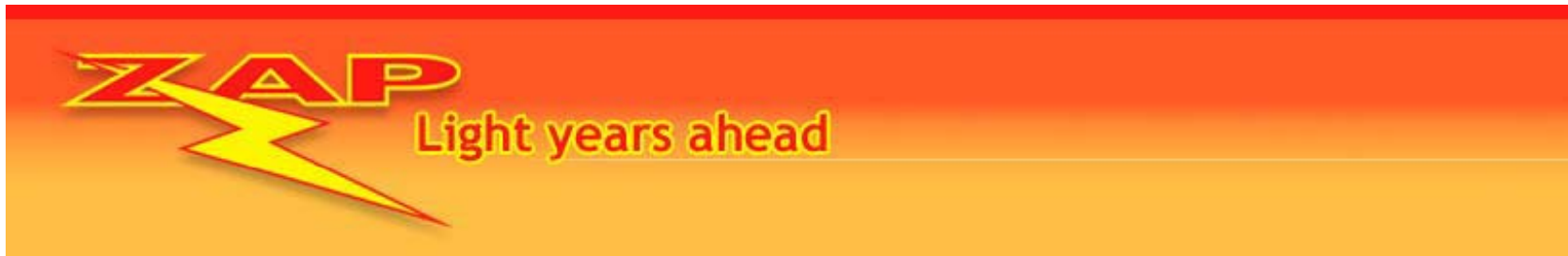




- Isolate the power supply before wiring any device into a ZAP Controller.



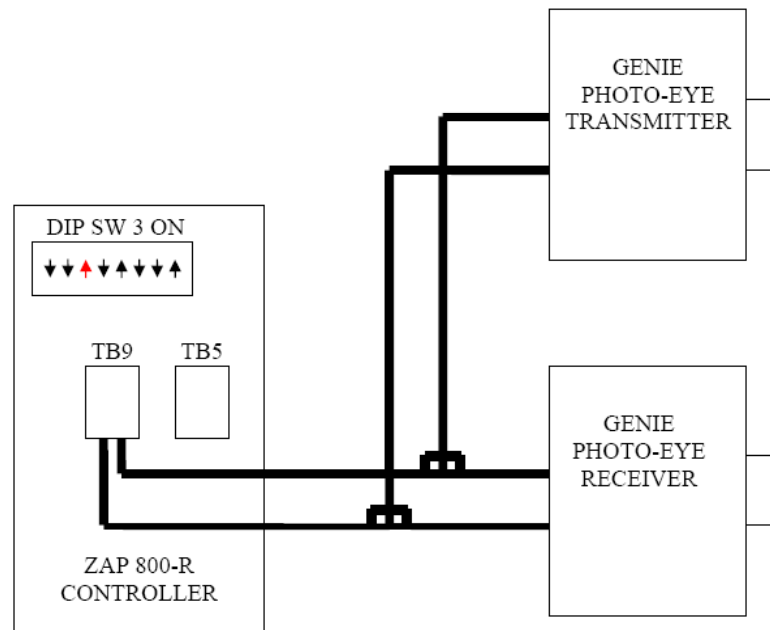
- Mounting the sender and receiver:
- Bolt the included mounting brackets to the sender and receiver. After attaching the sender and receiver to the brackets.



- Mount the jamb bracket to the door jamb at the appropriate height required.



- Connect the two wires from both the Genie Transmitter and Receiver Photocells to terminal block TB9 on the Zap 800-R panel.
- Note that TB5 is only used for three wire photocells.





- Set DIP Switch number 3 to the ON position.

